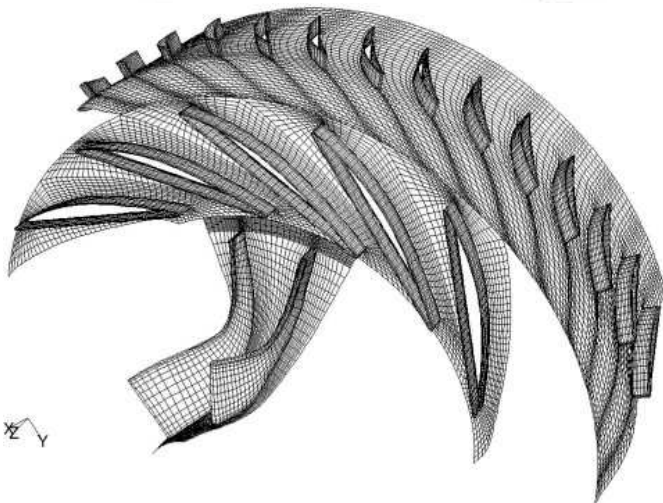
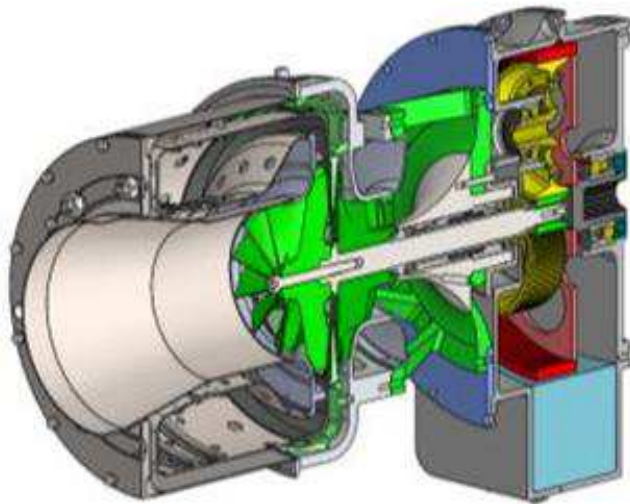




Turboshaft Engine



TECHNICAL SPECIFICATIONS

Power	120 kW
Rotational Speed	60 kRPM
SFC	550 g/kWh
Weight	40 kg
External Diameter	300 mm
Engine control	FADEC
Exhaust Temperature	530°C ca
Operating Range	From SL to 8,000 ft
Fuels	JP-4 (Primary), JP-8, Military gasoline